

REV A
SHEET 1
10-T-FN
DWG NO.

SPECIFICATIONS:

10 WATT COAXIAL TERMINATION

POWER RATING: 10 WATTS CW @ 40°C.

12 WATTS CW @ 25°C.

FREQUENCY RANGE & VSWR: DC TO 1GHz AT 1.10:1 MAX.

1GHz TO 4GHz AT 1.25:1 MAX.

CONNECTOR TYPE: N-FEMALE

IMPEDANCE: 50 OHMS, NOMINAL

AMBIENT TEMPERATURE RANGE: -40°C TO +40°C

OPERATING POSITION: ANY

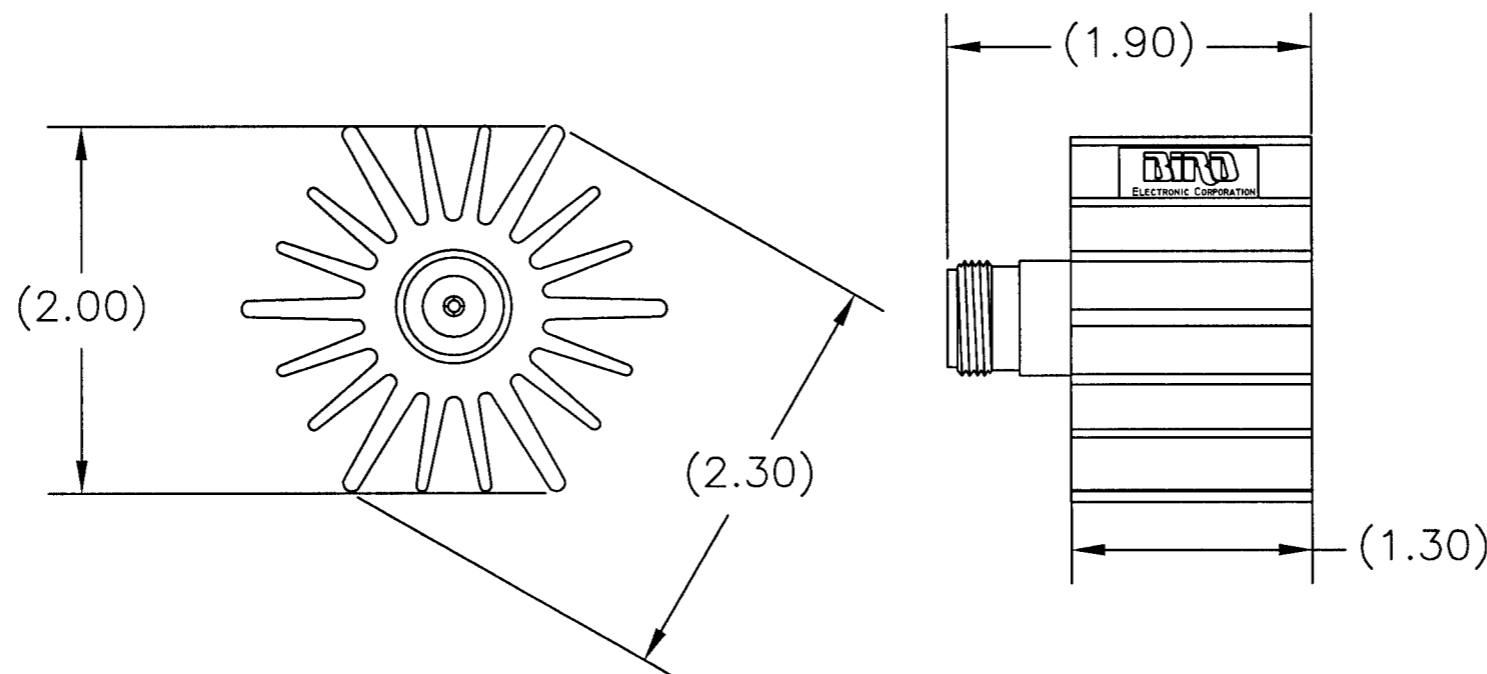
COOLANT: DRY (CONVECTION COOLED)

FINISH: BLACK ANODIZED COOLING FIN, SILVER OR TRI-ALLOY PLATED CONNECTOR

NOMINAL SIZE: APPROX. 1.90" L X 2.30" DIA. (WITH N-TYPE FEMALE CONNECTOR)

WEIGHT: APPROX. 3 OZ.

REVISIONS				
ZONE	REV	DESCRIPTION	DATE	APPROVED
	A	ECN #0185	12-22-97	<i>mpu</i>



UNLESS OTHERWISE SPECIFIED
DIMENSIONS ARE IN INCHES
TOLERANCES ARE:
FRACTIONS DECIMALS ANGLES
± 1/64 .XX = ±.010 ± 30'
.XXX = ±.005

MILLIMETERS
.X = ±.4
.XX = ±.12

DO NOT SCALE DRAWING

THIS DRAWING IS THE PROPERTY OF THE BIRD ELECTRONIC CORPORATION. THE DESIGNS AND SPECIFICATIONS DISCLOSED HEREON ARE PROPRIETARY AND SHALL NOT BE REPRODUCED, NOR COPIED, NOR USED AS THE BASIS FOR THE MANUFACTURE OR SALE OF APPARATUS OR DEVICES WITHOUT THEIR EXPRESS WRITTEN CONSENT.



MATERIAL	APPROVALS	DATE	TITLE		
	DRAWN D.M.RINK	12-16-02	FINAL ASSEMBLY, TERMINATION N-TYPE FEMALE, 10W		
FINISH	CHECKED		SIZE B	FSCM NO. 70998	DWG. NO. 10-T-FN
	APPROVED <i>MARLV</i>	1-13-03	SCALE 1:1	COMM CODE LD1	SHEET 1 OF 1
		AUTOCAD			REV A